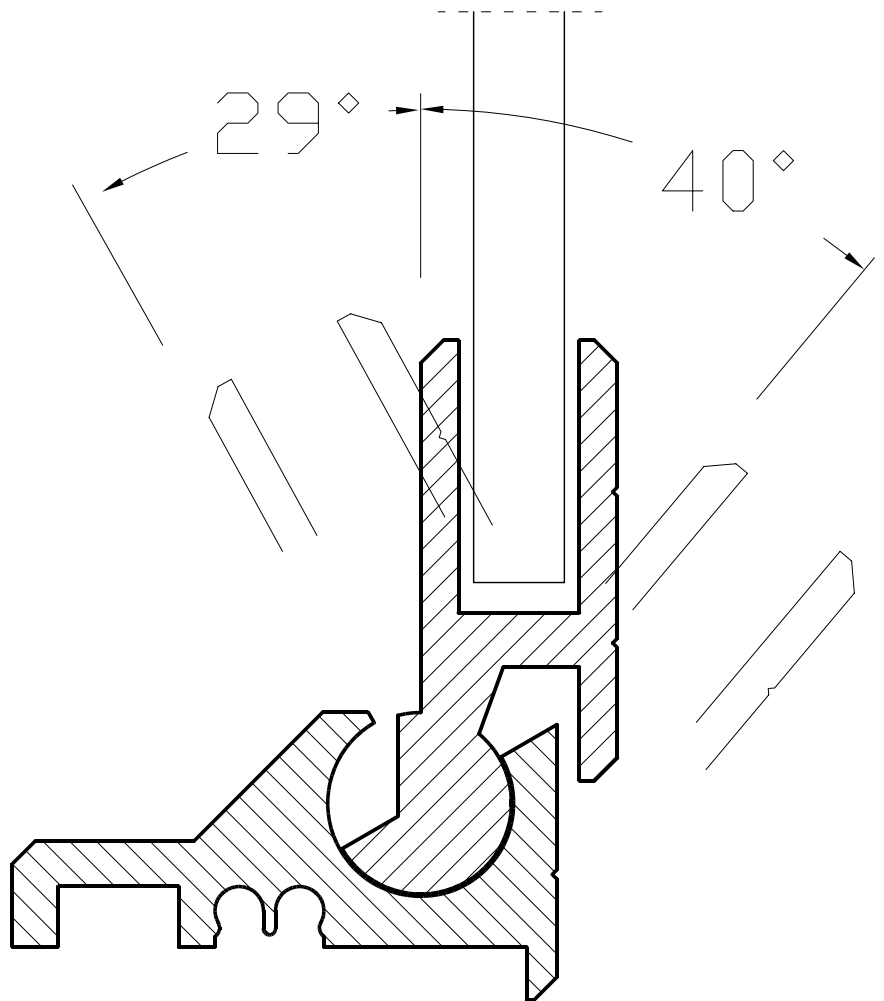


**FULL SIZE**



TOP EXTRUSION	AP8336	614801029	614801028
BOTTOM EXTRUSION	AP8348	614801039	614801038
	MILL Pt. No.	CLEAR ANOD.	GOLD ANOD.
PRO-TEK PART NUMBERS			

This drawing is the property of Pro-Tek Pty. Ltd. and must not be reproduced, copied or disposed of directly or otherwise and/or used in whole or part to furnish any information for the making of drawings, prints apparatus and parts thereof. The acceptance of this drawing will be construed as acceptance of the forgoing conditions.

DRAWN LPx	25/3/2001	DATE	SCALE 2:1	Pro-Tek Pty. Ltd.
MATERIAL ALUMINIUM	BLANK SIZE	N.A.	Unit 5 36 Abott Road SEVEN HILLS NSW 2147	Phone (02) 9624 6700 Fax (02)9624 6702

**ALUMINIUM EXTRUSIONS**  
**BOTTOM HINGE – Mk1** 1376